

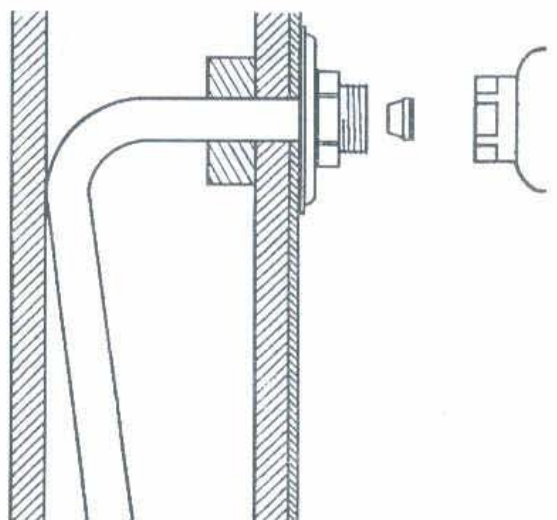
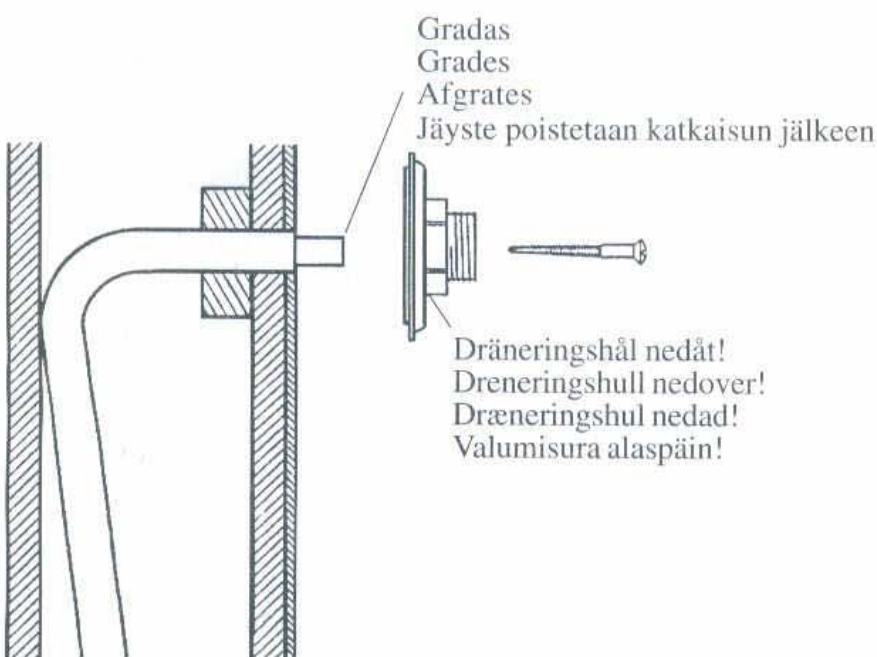
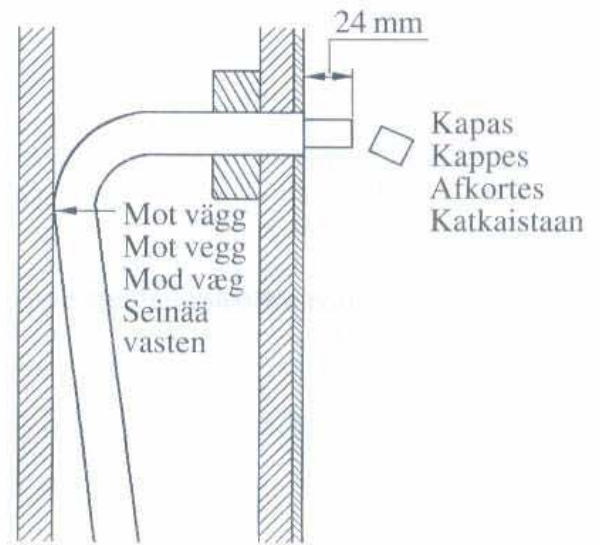
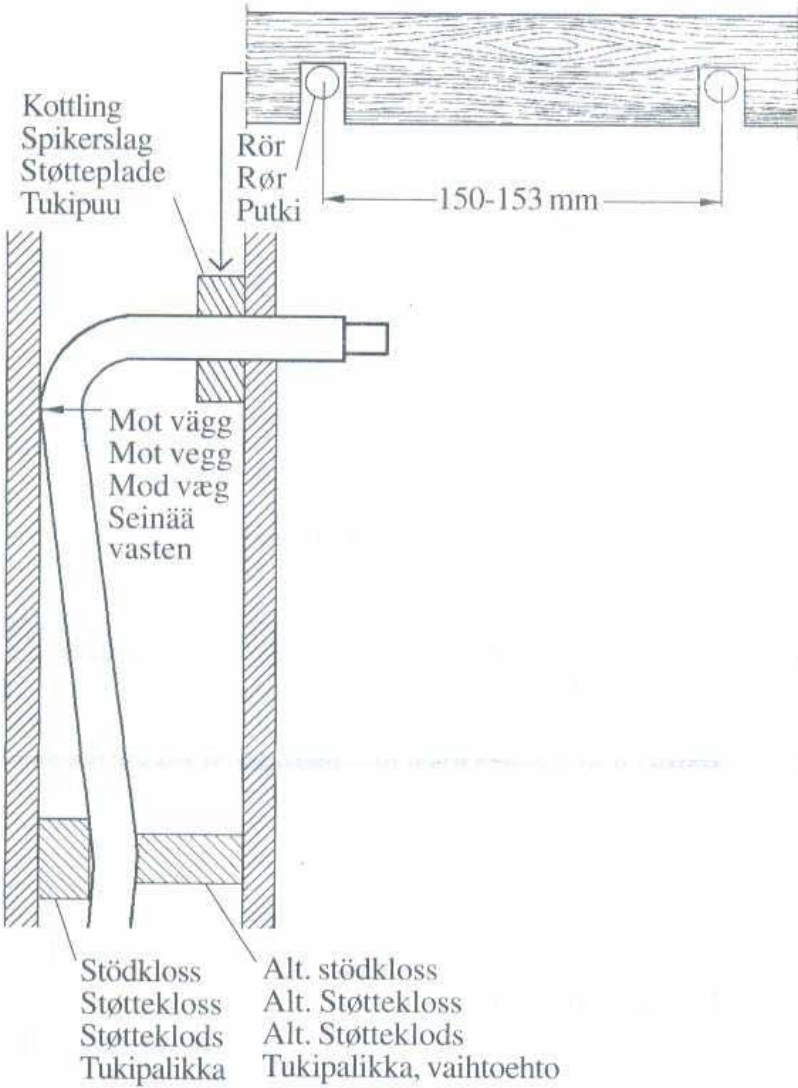


**FMM 9205 (E)**

# Blandarfäste Batterifeste Armaturlutning Sekoittimen seinäkiinnike

S  
N  
DK  
Fi

03.12



Soft (annealed) copper tubes (supporting bush is used)

Hard copper tubes.

Soft steel tubes (supporting bush is used).

Reinforced polyethylene (PEX-tubes) (supporting bush is used).

Mates to the following mixers (female G3/4, 150-153 mm c/c): All FM Mattsson-mixers and other mixers with inlet holes maximum Ø16,5 mm and with eccentricity of maximum 1 mm.

□ Pull up the tubes in and out through the wall as shown on the picture. The center distance shall be 150-153 mm. Pull out the tubes at the least 5-10 cm out of the wall. Prepare a noggin piece (between two cross bars) to enable sufficient attachment. A cleat to hold the tube a way below the bracket is recommended. When concrete inlining is done, heat insulated pipes are used, or the tubes are insulated in place. This allows minor adjustments even after the lining. A wall plate can also be used as a fixture.

□ When the tiling is completed, the tubes are cut 24mm from the wall. When the 24 mm is measured, the tubes must be against the internal wall. In this position the insulation is peeled off to the wall level.

□ De-burr the tubes after cutting!

Position the wall plate on the tubes, with the drain holes down, and tighten it. The nipples are provided with two O-rings to prevent water from entering the wall. One seals against the tube and the other against the wall plate. (on the back of the nipple) See also "Sealing"

□ Attach when required the supporting bushes in the tubes, and the compression tapered ring. These are provided with packing. The packing supplied with the mixers shall **not** be used. Attach the mixer, thread G3/4", 150-153 mm c/c. Tighten the nuts alternately as per recommended torque. Powder coated wall plates have plastic caps to cover the nuts.

### Recommended torque

Tube diameter mm	Torque Nm
6	20–30
8	30
10	30
12	30–40
15	40–50
18	50–70
22	50–70
28	50–70

## **Sealing**

### **All screw holes are sealed.**

Loosen the screw and fill screw holes and possible plug with industrial silicone.

### **Tube inlets in walls with covered with wet sheeting**

Against wet room sheeting or watertight coated surface, the packing at the rear of the wall plate seals up to a surface out-of flatness of 1 mm.

At deeper surface structure industry silicone is required between the wall covering and the plate packing. Industrial silicone is used even between tube and wall covering.

### **Tiled walls**

It is important to position the wall plate where the screws end up on the tiles and not in the joints between the tiles.

Tube inlets through tiled walls must be supplemented with a sealing between the tube and the sealing layer of the wall, behind the tiles. An extra sealing is also required between the joint and the packing of the wall plate, if the joint is deeper than 1 mm from the tile surface. Sealing compound is Industrial silicone.

### **Pressure testing**

If a pressure test is performed prior to assembly of the mixer, special plugs are available. FMM 1731.

### **Dismounting**

If the assembly is performed in accordance with the instructions it is possible to un-tighten the screws, loosen the mixer and replace the wall covering. The compression rings can also be pulled off, to enable removal of the wall-plate.

The reassembly requires then new compression rings.

A special pulling tool is available. FMM 6098 (3/4).

Box 427, SE-792 27 MORA, Sweden. [www.fmmattsson.com](http://www.fmmattsson.com).

Tel +46 (0)250-278 00. Fax +46 (0)250-159 60.