



Uniclass L725111	EPIC G611
CI/SB (74.26)	X

**DATA**

Electronic Basin Mixer with 6v lithium batteries, solenoid valve and electronic control all integrated into the body of the tap, enabling all maintenance to be carried out above the work surface.

Max Output	6 l/pm @ 5 Bar
Batteries	2 Lithium 3v -223
Battery Life	3-5 years
Operating Voltage	6 volts
Operating Pressures	0.5-5 bar
Maximum Pressure	8 bar
Max Temperature Supply	70° C
Balance pressuers	+ - 1 bar
Automatic safety shutoff	2 minutes
Automatic shutoff after no detection	2 seconds

**MATERIALS**

Mixer Body BZR Brass With Chrome Finish

**FEATURES**

- Infrared detection of presence
- Waterproof electronic control box
- Corrosion proof solenoid valves
- Stainless steel flexible inlets with filters
- Solid chrome plated body with reinforced anti vandal fixings
- Anti Scald and anti blocking in flow safety devices
- Low Battery power check
- Top sensor allows optimized detection of hands

**SPEC CODES**

- Electronic basin tap c/w side temp selector
- 9949-2006 M 1/2" with non return & stop valves
- 9949-2186 F 1/2" without non return & stop valves
- Electronic basin tap without side temp selector
- 9944-2006 M 1/2" with non return & stop valves
- 9944-2186 F 1/2" without non return & stop valves

We recommend the installation of a thermostatic mixing valve up stream of the tap Spec Code: Supamix 15 or Supamix 22

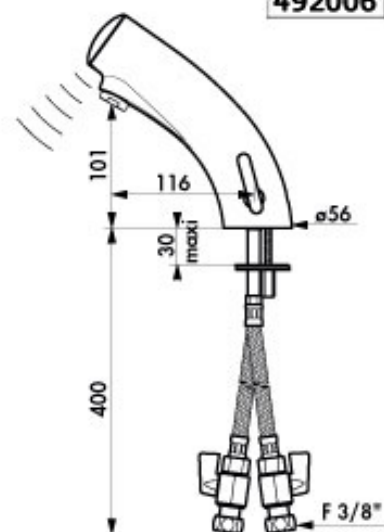
**APPLICATION**

Residential, hospital, hotels, accommodation blocks, halls of residence, barracks, gymnasiums, toilets

**9944-2186 Electronic Basin Tap**



492006



0870 7657987

[www.alchallis.com](http://www.alchallis.com)

[info@alchallis.com](mailto:info@alchallis.com)